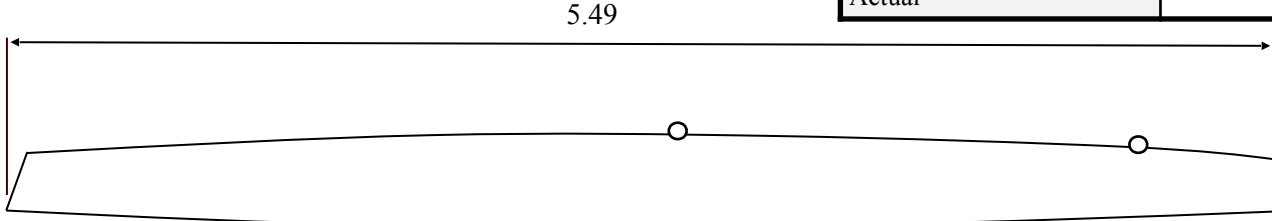
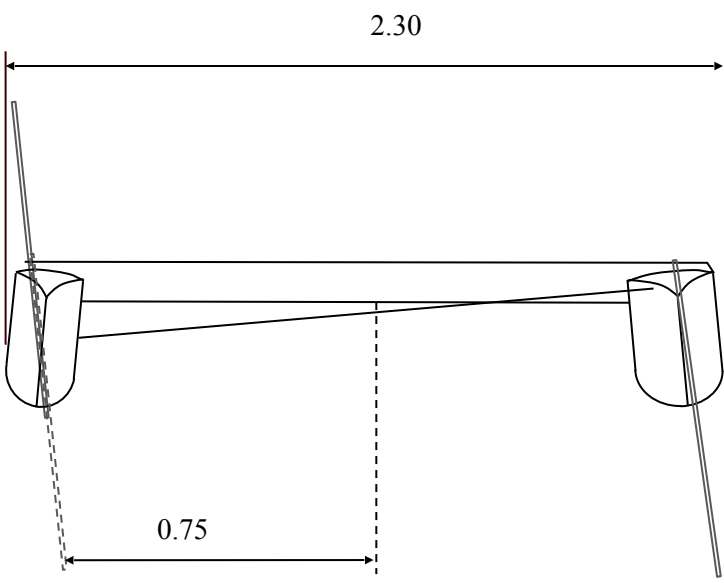
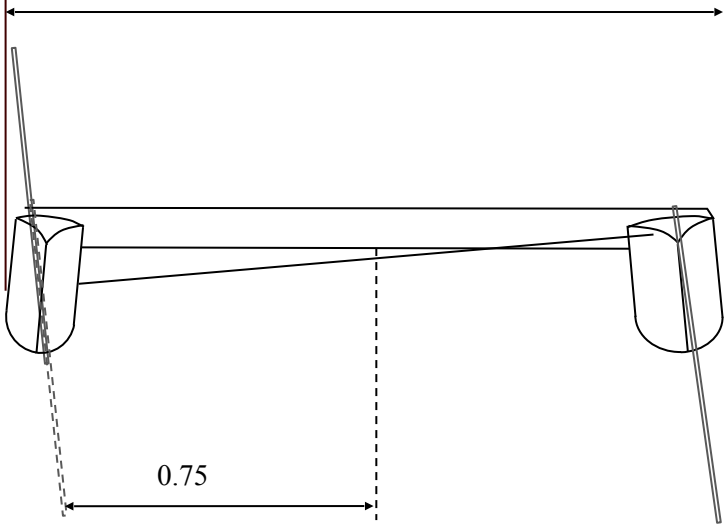








International A-Catamaran Measurement Certificate

Hull Measurement Form

|  <p style="text-align: center;">5.49</p> | <table border="1" style="width: 100%; border-collapse: collapse;"> <tr> <th colspan="2" style="background-color: #cccccc;">Overall Length</th> </tr> <tr> <td style="width: 70%;">Max</td> <td style="text-align: right;">5,49</td> </tr> <tr> <td>Actual</td> <td style="text-align: right;">5,489</td> </tr> </table> | Overall Length | | Max | 5,49 | Actual | 5,489 | | | | |
|---|---|---|---|----------|------|-----------------|-------|---------|----------|----------|--------|
| Overall Length | | | | | | | | | | | |
| Max | 5,49 | | | | | | | | | | |
| Actual | 5,489 | | | | | | | | | | |
|  <p style="text-align: center;">2.30</p> | <table border="1" style="width: 100%; border-collapse: collapse;"> <tr> <th colspan="2" style="background-color: #cccccc;">Overall Beam including all appendages</th> </tr> <tr> <td style="width: 70%;">Max</td> <td style="text-align: right;">2,3</td> </tr> <tr> <td>Actual</td> <td style="text-align: right;">2,296</td> </tr> </table> | Overall Beam including all appendages | | Max | 2,3 | Actual | 2,296 | | | | |
| Overall Beam including all appendages | | | | | | | | | | | |
| Max | 2,3 | | | | | | | | | | |
| Actual | 2,296 | | | | | | | | | | |
|  <p style="text-align: center;">0.75</p> | <table border="1" style="width: 100%; border-collapse: collapse;"> <tr> <th colspan="2" style="background-color: #cccccc;">Minimum distance to centerline of all appendages in any position</th> </tr> <tr> <td style="width: 70%;">Min</td> <td style="text-align: right;">0,75</td> </tr> <tr> <td>Actual</td> <td style="text-align: right;">0,760</td> </tr> </table> | Minimum distance to centerline of all appendages in any position | | Min | 0,75 | Actual | 0,760 | | | | |
| Minimum distance to centerline of all appendages in any position | | | | | | | | | | | |
| Min | 0,75 | | | | | | | | | | |
| Actual | 0,760 | | | | | | | | | | |
| <table border="1" style="width: 100%; border-collapse: collapse;"> <tr> <th style="width: 50%;">Hull Identification</th> <th style="width: 50%;">Comments</th> </tr> <tr> <td>Hull No.</td> <td></td> </tr> <tr> <td>ISAF Plaque No.</td> <td style="text-align: center;">730</td> </tr> <tr> <td>Builder</td> <td style="text-align: center;">Exploder</td> </tr> <tr> <td>Material</td> <td style="text-align: center;">Carbon</td> </tr> </table> | | Hull Identification | Comments | Hull No. | | ISAF Plaque No. | 730 | Builder | Exploder | Material | Carbon |
| Hull Identification | Comments | | | | | | | | | | |
| Hull No. | | | | | | | | | | | |
| ISAF Plaque No. | 730 | | | | | | | | | | |
| Builder | Exploder | | | | | | | | | | |
| Material | Carbon | | | | | | | | | | |
| <p><i>All measurements are in meters and to three decimal places.</i></p> | | | | | | | | | | | |
| <table border="1" style="width: 100%; border-collapse: collapse;"> <tr> <td style="width: 60%; vertical-align: top;"> <p>Measurers Declaration: I declare that I have measured hull and appendages and they comply with all class rules.</p> <p>Date of Measurement: <u>22/4/2017</u></p> <p>Measurer's Name: <u>Thomas Paasch</u></p> <p>Appointed by: <u>Danish Sailing Association</u></p> <p>Measurer's Signature: <u></u></p> </td> <td style="width: 40%; text-align: center; vertical-align: middle;">  <p>Measurer's Stamp</p> </td> </tr> </table> | | <p>Measurers Declaration: I declare that I have measured hull and appendages and they comply with all class rules.</p> <p>Date of Measurement: <u>22/4/2017</u></p> <p>Measurer's Name: <u>Thomas Paasch</u></p> <p>Appointed by: <u>Danish Sailing Association</u></p> <p>Measurer's Signature: <u></u></p> |  <p>Measurer's Stamp</p> | | | | | | | | |
| <p>Measurers Declaration: I declare that I have measured hull and appendages and they comply with all class rules.</p> <p>Date of Measurement: <u>22/4/2017</u></p> <p>Measurer's Name: <u>Thomas Paasch</u></p> <p>Appointed by: <u>Danish Sailing Association</u></p> <p>Measurer's Signature: <u></u></p> |  <p>Measurer's Stamp</p> | | | | | | | | | | |
| <p>* Refer current measurers guidelines when completing form.</p> | | | | | | | | | | | |