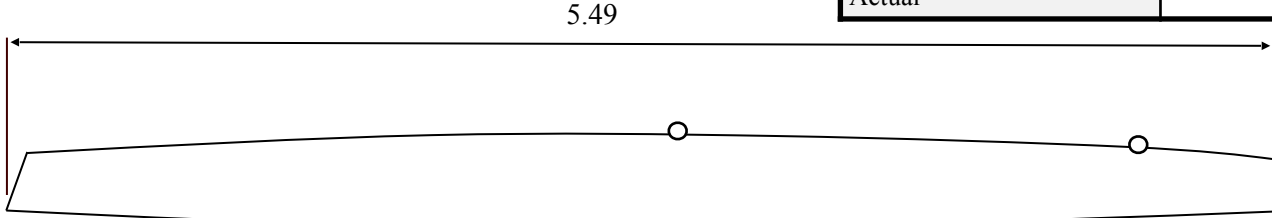
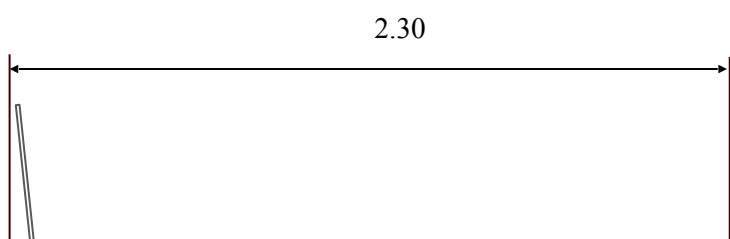
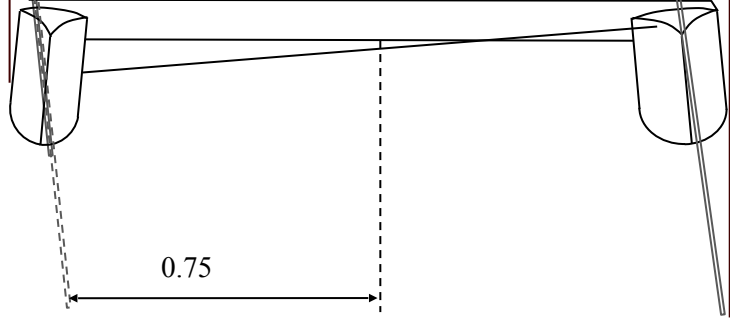

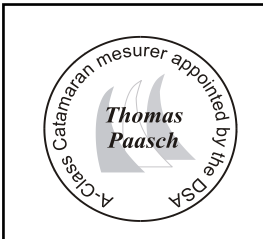

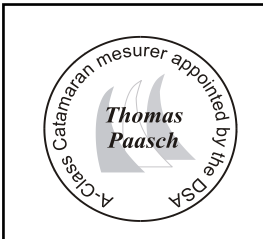

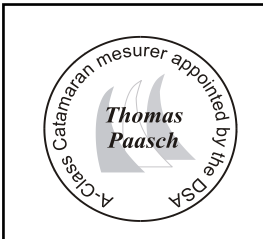


International A-Catamaran Measurement Certificate

Hull Measurement Form

 <p style="text-align: center;">5.49</p>	<table border="1" style="width: 100%; border-collapse: collapse;"> <tr> <th colspan="2" style="background-color: #cccccc;">Overall Length</th> </tr> <tr> <td style="width: 70%;">Max</td> <td style="text-align: right;">5,49</td> </tr> <tr> <td>Actual</td> <td style="text-align: right;">5,481</td> </tr> </table>	Overall Length		Max	5,49	Actual	5,481				
Overall Length											
Max	5,49										
Actual	5,481										
 <p style="text-align: center;">2.30</p>	<table border="1" style="width: 100%; border-collapse: collapse;"> <tr> <th colspan="2" style="background-color: #cccccc;">Overall Beam including all appendages</th> </tr> <tr> <td style="width: 70%;">Max</td> <td style="text-align: right;">2,3</td> </tr> <tr> <td>Actual</td> <td style="text-align: right;">2,300</td> </tr> </table>	Overall Beam including all appendages		Max	2,3	Actual	2,300				
Overall Beam including all appendages											
Max	2,3										
Actual	2,300										
 <p style="text-align: center;">0.75</p>	<table border="1" style="width: 100%; border-collapse: collapse;"> <tr> <th colspan="2" style="background-color: #cccccc;">Minimum distance to centerline of all appendages in any position</th> </tr> <tr> <td style="width: 70%;">Min</td> <td style="text-align: right;">0,75</td> </tr> <tr> <td>Actual</td> <td style="text-align: right;">0,756</td> </tr> </table>	Minimum distance to centerline of all appendages in any position		Min	0,75	Actual	0,756				
Minimum distance to centerline of all appendages in any position											
Min	0,75										
Actual	0,756										
<table border="1" style="width: 100%; border-collapse: collapse;"> <tr> <th style="width: 50%;">Hull Identification</th> <th style="width: 50%;">Comments</th> </tr> <tr> <td>Hull No.</td> <td style="text-align: right;">81402</td> </tr> <tr> <td>ISAF Plaque No.</td> <td style="text-align: right;">438</td> </tr> <tr> <td>Builder</td> <td style="text-align: right;">Exploder</td> </tr> <tr> <td>Material</td> <td style="text-align: right;">Carbon</td> </tr> </table>		Hull Identification	Comments	Hull No.	81402	ISAF Plaque No.	438	Builder	Exploder	Material	Carbon
Hull Identification	Comments										
Hull No.	81402										
ISAF Plaque No.	438										
Builder	Exploder										
Material	Carbon										
<p><i>All measurements are in meters and to three decimal places.</i></p>											
<table border="1" style="width: 100%; border-collapse: collapse;"> <tr> <td style="width: 60%; vertical-align: top;"> <p>Measurers Declaration: I declare that I have measured hull and appendages and they comply with all class rules.</p> <p>Date of Measurement: <u>7/3/2019</u></p> <p>Measurer's Name: <u>Thomas Paasch</u></p> <p>Appointed by: <u>Danish Sailing Association</u></p> <p>Measurer's Signature: <u></u></p> </td> <td style="width: 40%; text-align: center; vertical-align: middle;">  <p>Measurer's Stamp</p> </td> </tr> </table>		<p>Measurers Declaration: I declare that I have measured hull and appendages and they comply with all class rules.</p> <p>Date of Measurement: <u>7/3/2019</u></p> <p>Measurer's Name: <u>Thomas Paasch</u></p> <p>Appointed by: <u>Danish Sailing Association</u></p> <p>Measurer's Signature: <u></u></p>	 <p>Measurer's Stamp</p>								
<p>Measurers Declaration: I declare that I have measured hull and appendages and they comply with all class rules.</p> <p>Date of Measurement: <u>7/3/2019</u></p> <p>Measurer's Name: <u>Thomas Paasch</u></p> <p>Appointed by: <u>Danish Sailing Association</u></p> <p>Measurer's Signature: <u></u></p>	 <p>Measurer's Stamp</p>										
<p>* Refer current measurers guidelines when completing form.</p>											